



Recessed luminaires





Taurus 17-03 58



Virgo 30-02 59



Virgo 30-03 60



Virgo 30-05 61



Stella 31-02 63



Stella 31-04 64



Stella 31-06 65



Lyra 32-02 66



Lyra 32-06 67



Carella 34-00 68

Beghelli



Carella 34-02 69



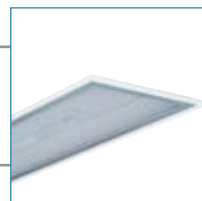
Carella 34-03 70



Carella 34-06 71



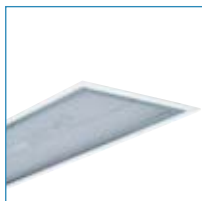
Aries 35-02 72



Aries 35-03 73



Arietis 36-02 74



Arietis 36-03 75



Arietis 36-04 76



Arietis 36-05 76

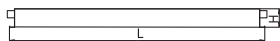
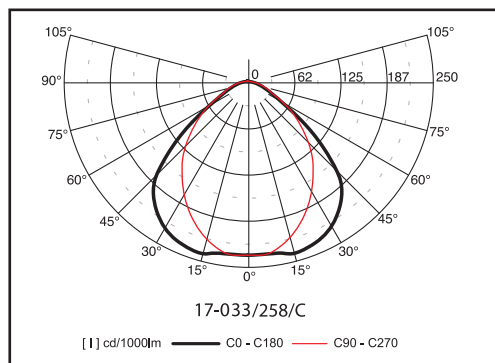


Toscano 37-01 77

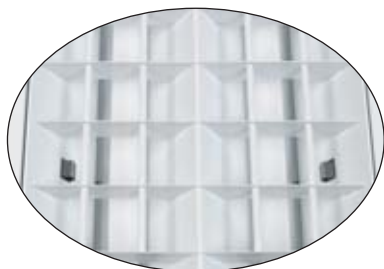


Ronos 69-00 78

taurus | 17-03



Safety locks protected
against drop out of the louvre



Recessed luminaires for indoor sports areas



Material:

- body: a steel sheet finished by powder technology varnishing
- color: white RAL 9003
- louvre: white aluminium louvre, reinforced with AL rods, protecting the lamps from ball bumps

Degree of protection: IP 20

Rated voltage: 230V/50Hz

Control gear: low loss ballast or electronic ballast, dimmable ballast by request; the luminaires are offered also in emergency version

Mounting: universal mounting in ceiling systems M625 and in plaster ceiling

Accessories: steel holders (must be ordered separately)

99-298 in ceiling systems (4pcs)

99-299 in plaster ceilings (4pcs)

Application: gymnasiums, sporting halls, sport clubs

Shockproof test according to DIN 18032

Code	Power	Lamp	Cap	LxBxH (mm)	Module	Hole cut out (mm)	Kg
17-033/236/	2x36W	T8 lamp	G13	1248x311x90	M625	1175x275	8,5
17-033/258/	2x58W	T8 lamp	G13	1548x311x90	M625	1474x275	11,0
17-033/336/	3x36W	T8 lamp	G13	1248x622x90	M625	1175x580	12,2
17-033/358/	3x58W	T8 lamp	G13	1548x622x90	M625	1475x580	14,1
17-033/436/	4x36W	T8 lamp	G13	1248x622x90	M625	1175x580	14,2
17-033/458/	4x58W	T8 lamp	G13	1548x622x90	M625	1475x580	18,0

- E (low loss ballast) - C (electronic ballast)

Recessed luminaires - inlay mounting M600



Material:

- body: a steel sheet finished by powder technology varnishing
- color: white RAL 9003
- louvre: highly polished or matted double parabolic louvre, polished or matted christmas tree louvre, white louvre
- diffuser: prismatic cover, opaline cover

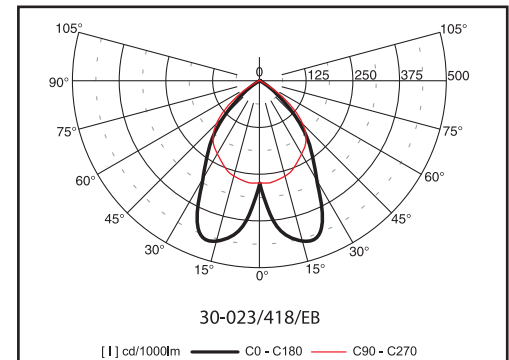
Degree of protection: IP 20

Rated voltage: 230V/50Hz

Control gear: low loss ballast or electronic ballast, dimmable ballast by request;
the luminaires are offered also in emergency version

Mounting: ceiling modules M600 - inlay mounting

Application: representative offices, conference and lecture halls, department stores, boutiques, corridors

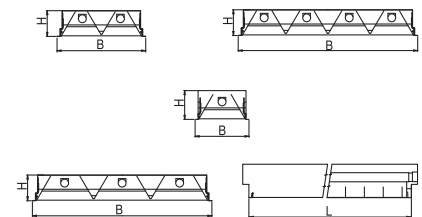


Code	Power	Louvre	Lamp	Cap	LxBxH (mm)	Module	Kg
30-023/118/[1][2]	1x18W	A,B,C,D,J,X,Z	T8 lamp	G13	593x178x95	M600	2,2
30-023/136/[1][2]	1x36W	A,B,C,D,J,X,Z	T8 lamp	G13	1193x178x95	M600	3,6
30-023/158/[1][2]	1x58W	A,B,C,D,J,X,Z	T8 lamp	G13	1493x178x95	M600	5,1
30-023/218/[1][2]	2x18W	A,B,C,D,J,X,Z	T8 lamp	G13	593x293x85	M600	3,2
30-023/236/[1][2]	2x36W	A,B,C,D,J,X,Z	T8 lamp	G13	1193x293x85	M600	5,7
30-023/258/[1][2]	2x58W	A,B,C,D,J,X,Z	T8 lamp	G13	1493x293x85	M600	9,2
30-023/318/[1][2]	3x18W	A,B,C,D,J,X,Z	T8 lamp	G13	593x593x85	M600	4,6
30-023/336/[1][2]	3x36W	A,B,C,D,J,X,Z	T8 lamp	G13	1193x593x85	M600	9,5
30-023/418/[1][2]	4x18W	A,B,C,D,J,X,Z	T8 lamp	G13	593x593x77	M600	5,4
30-023/436/[1][2]	4x36W	A,B,C,D,J,X,Z	T8 lamp	G13	1193x593x85	M600	12,5

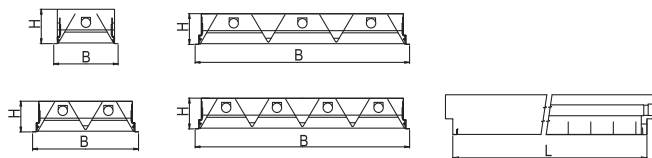
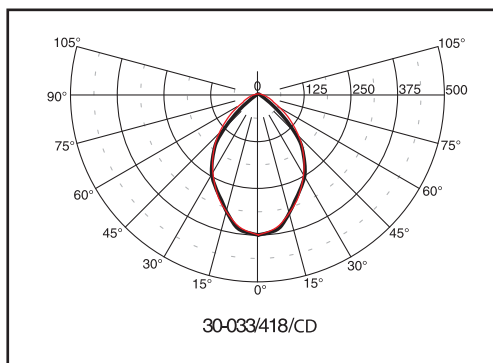
[1] - E (low loss ballast)
- C (electronic ballast)

[2] - A (white louvre)
- B (highly polished parabolic louvre, 60°)
- C (matted parabolic louvre, 60°)
- D (polished christmas tree louvre)

- J (matted christmas tree louvre)
- X (prismatic cover)
- Z (opaline cover)



Recessed luminaires - universal mounting M625



Material:

- body: a steel sheet finished by powder technology varnishing
- color: white RAL 9003
- louvre: highly polished or matted double parabolic, polished or matted christmas tree louvre white louvre
- diffuser: prismatic cover, opaline cover

Degree of protection: IP 20

Rated voltage: 230V/50Hz

Control gear: low loss ballast or electronic ballast, dimmable ballast by request; the luminaires are offered also in emergency version

Mounting: universal mounting in ceiling systems M625, in plaster ceilings, in ALU-panel ceilings (only for one-lamp luminaires)

Accessories: steel holders (must be ordered separately)

99-294 in ALU-panel ceilings (4pcs)

99-298 in ceiling systems (4pcs)

99-299 in plaster ceilings (4pcs)

Application: representative offices, conference and lecture halls, department stores, corridors

- 1] - E (low loss ballast)
- C (electronic ballast)

- 2] - A (white louvre)
- B (highly polished parabolic louvre, 60°)
- C (matted parabolic louvre, 60°)
- D (polished christmas tree louvre)
- I (highly polished asymmetric reflector, only for one lamp luminaires 36, 58 W)
- J (matted christmas tree louvre)
- X (prismatic cover)
- Z (opaline cover)

Code	Power	Louvre	Lamp	Cap	LxBxH (mm)	Module	Hole cut out (mm)	Kg
30-033/118/1]2]	1x18W	A,B,C,D,J,X,Z	T8 lamp	G13	623x211x90	M625	580x158	2,5
30-033/136/1]2]	1x36W	A,B,C,D,I,J,X,Z	T8 lamp	G13	1246x211x90	M625	1175x158	3,6
30-033/158/1]2]	1x58W	A,B,C,D,I,J,X,Z	T8 lamp	G13	1546x211x90	M625	1475x158	5,1
30-033/218/1]2]	2x18W	A,B,C,D,J,X,Z	T8 lamp	G13	623x311x90	M625	580x275	3,3
30-033/236/1]2]	2x36W	A,B,C,D,J,X,Z	T8 lamp	G13	1246x311x90	M625	1175x275	6,0
30-033/258/1]2]	2x58W	A,B,C,D,J,X,Z	T8 lamp	G13	1546x311x90	M625	1475x275	9,2
30-033/318/1]2]	3x18W	A,B,C,D,J,X,Z	T8 lamp	G13	623x622x90	M625	580x580	4,9
30-033/336/1]2]	3x36W	A,B,C,D,J,X,Z	T8 lamp	G13	1246x622x90	M625	1175x580	9,8
30-033/418/1]2]	4x18W	A,B,C,D,J,X,Z	T8 lamp	G13	623x622x90	M625	580x580	5,7
30-033/436/1]2]	4x36W	A,B,C,D,J,X,Z	T8 lamp	G13	1246x622x90	M625	1175x580	12,5

Recessed luminaires

30-05, 30-09, 30-65 | virgo



Material:

- body: a steel sheet finished by powder technology varnishing
- color: white RAL 9003
- louvre: highly polished double parabolic louvre, polished christmas tree louvre

Degree of protection: IP 20

Rated voltage: 230V/50Hz

Control gear: low loss ballast or electronic ballast

Mounting:

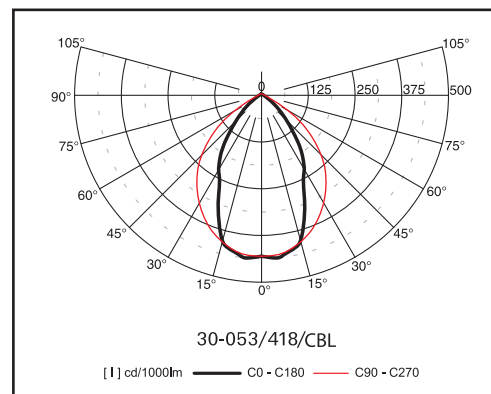
30-053 – ceiling modules M600 - inlay mounting

30-093 – ceiling modules M625 - universal mounting, mounting

in plaster ceilings (set of 4pcs universal holders 99-285 is supplied with luminaire)

30-653 – ceiling modules M610 - inlay mounting

Application: representative offices,
conference and lecture halls,
department stores, boutiques, corridors



If requested the luminaires can be equipped with connector Isodom or Wieland.

30-T53 – the luminaire is equipped with Isodom connector

30-V53 – the luminaire is equipped with 3-pole connector Wieland

30-W53 – the luminaire is equipped with 5-pole connector Wieland

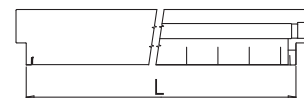
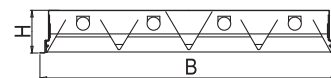
Code	Power	Louvre	Lamp	Hole cut out	Cap	LxBxH (mm)	Module	Kg
30-053/418/1,2	4x18W	BL,DL	T8 lamp	-	G13	593x593x77	M600	5,4
30-093/418/1,2	4x18W	BL,DL	T8 lamp	573x573	G13	622x622x90	M625	5,4
30-653/418/1,2	4x18W	BL,DL	T8 lamp	-	G13	605x605x77	M610	5,4

1] - E (low loss ballast)

- C (electronic ballast)

2] - BL (highly polished parabolic louvre, lower quantity of lamellae)

- DL (polished christmas tree louvre, lower quantity of lamellae)





Recessed luminaires - compact fluorescent lamps



Material:

- body: a steel sheet finished by powder technology varnishing
- color: white RAL 9003
- louvre: a highly polished or matted parabolic louvre made of an aluminium sheet, polished or matted christmas tree louvre
- diffuser: prismatic cover

Degree of protection: IP 20

Rated voltage: 230V/50Hz

Control gear: low loss ballast or electronic ballast, dimmable ballast by request

Mounting:

ceiling modules M600 - inlay mounting (31-02)

ceiling modules M625 - universal mounting (31-03)

plaster ceilings (31-03)

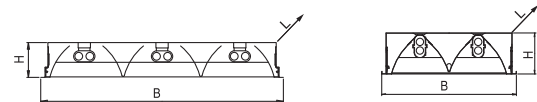
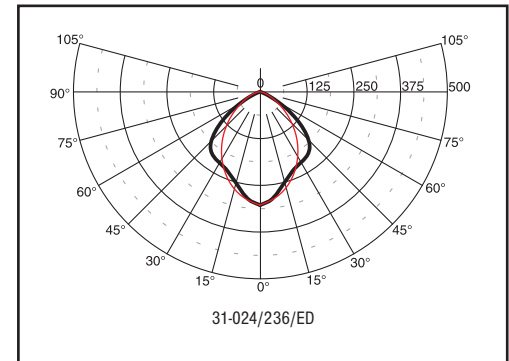
Accessories: (must be ordered separately)

99-298 - holders for mounting in panel ceiling (4pcs)

99-299 - holders for mounting in plaster ceiling (4pcs)

Application: representative offices, conference and lecture halls,

computer labs, department stores, boutiques, corridors



Code	Power	Louvre	Lamp	Cap	LxBxH (mm)	Module	Hole cut out (mm)	Kg
31-024/236/1 2	2x36W	B,C,D,J,X	comp. fl. lamp	2G11	593x293x85	M600	-	3,5
31-024/255/C 2	2x55W	B,C,D,J,X	comp. fl. lamp	2G11	593x293x85	M600	-	3,0
31-024/336/1 2	3x36W	B,C,D,J,X	comp. fl. lamp	2G11	593x593x85	M600	-	6,6
31-024/355/C 2	3x55W	B,C,D,J,X	comp. fl. lamp	2G11	593x593x85	M600	-	6,0
31-034/218/1 2	2x18W	B,C,D,J,X	comp. fl. lamp	2G11	312x312x95	M625	295x295	3,1
31-034/236/1 2	2x36W	B,C,D,J,X	comp. fl. lamp	2G11	623x312x90	M625	575x275	3,5
31-034/255/C 2	2x55W	B,C,D,J,X	comp. fl. lamp	2G11	623x312x90	M625	575x275	3,0
31-034/336/1 2	3x36W	B,C,D,J,X	comp. fl. lamp	2G11	623x622x90	M625	575x575	6,6
31-034/355/C 2	3x55W	B,C,D,J,X	comp. fl. lamp	2G11	623x622x90	M625	575x575	6,0

1 - E (low loss ballast)

- C (electronic ballast)

2 - B (highly polished parabolic louvre, 60°)

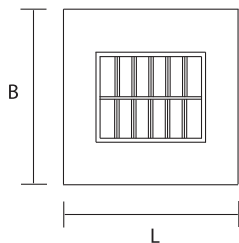
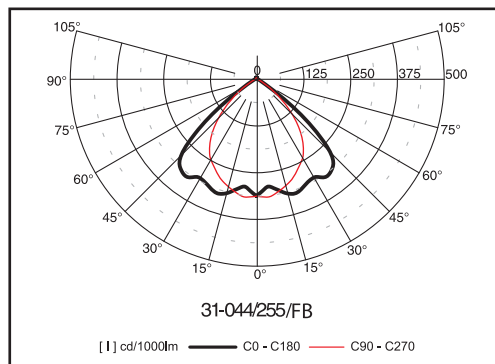
- C (matted parabolic louvre, 60°)

- D (polished christmas tree louvre)

- J (matted christmas tree louvre)

- X (prismatic cover)

stella | 31-04, 31-05



Recessed luminaires - compact fluorescent lamps



Material:

- body: the cover framework is made of a steel sheet finished by powder technology varnishing; the lamp box is made of self-extinguishing UV stabilized polycarbonate
- color: white RAL 9003
- louvre: highly polished or matted parabolic louvre made of an aluminium sheet, matted christmas tree louvre (only for 2x36W)
- reflector: injection-molded, self-extinguishing UV stabilized polycarbonate, the high reflection rate was achieved by vacuum coated aluminium which together with the parabolic shape guarantees optimal distribution of the luminous flux

Degree of protection: IP 20

Rated voltage: 230V/50Hz

Control gear: electronic ballast, dimmable ballast by request

Mounting:

- ceiling systems M600 - inlay mounting (31-04)
- ceiling systems M625 - inlay mounting (31-05)

Application: representative offices, conference and lecture halls,

computer labs, department stores, boutiques, corridors

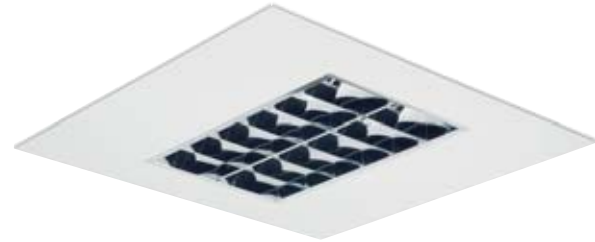
Code	Power	Louvre	Lamp	Cap	LxBxH (mm)	Module	Kg
31-044/224/C ²	2x24W	B, C	comp. fl. lamp	2G11	596x596x120	M600	4,2
31-044/236/C ²	2x36W	B, C, J	comp. fl. lamp	2G11	596x596x110	M600	4,2
31-054/224/C ²	2x24W	B, C	comp. fl. lamp	2G11	622x622x120	M625	4,8
31-054/236/C ²	2x36W	B, C, J	comp. fl. lamp	2G11	622x622x110	M625	4,8

² - B (highly polished parabolic louvre, 60°)

- C (matted parabolic louvre, 60°)

- J (matted christmas tree louvre)

Recessed luminaires - compact fluorescent lamps



Material:

- body: the cover framework is made of a steel sheet finished by powder technology varnishing; the gear box part is made of galvanized steel sheet
- color: white RAL 9003
- louvre: highly polished parabolic louvre made of an aluminium sheet, polished christmas tree louvre
- reflector: made of pure aluminium sheet which guarantees high efficiency of the luminaire

Degree of protection: IP 20

Rated voltage: 230V/50Hz

Control gear: low loss ballast with parallel compensation or electronic ballast, dimmable ballast by request

Mounting:

- ceiling systems M600 - inlay mounting
- ceiling systems M600 - below mounting (see Accessories)
- plaster ceilings (see Accessories)

Accessories: (must be ordered separately)

99-291 a set of holders for the below mounting in ceiling systems M600

99-292 a set of holders for the mounting in plaster ceilings

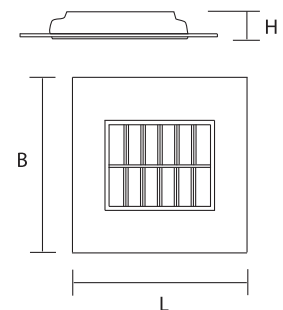
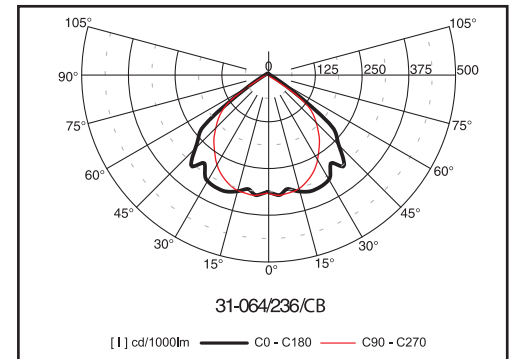
Application: representative offices, conference and lecture halls, computer labs, department stores, boutiques, corridors

The luminaires 31-96 are supplied with lamps.

Code	Power	Louvre	Lamp	Cap	LxBxH (mm)	Module	Kg
31-064/236/1 2	2x36W	B, D	comp. fl. lamp	2G11	596x596x100	M600	5,0
31-964/236/1 2	2x36W	B, D	comp. fl. lamp	2G11	596x596x100	M600	5,3

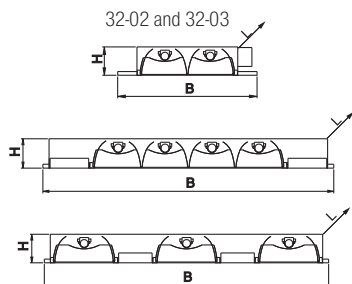
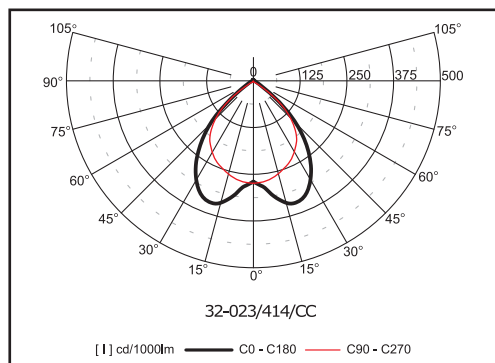
1 - E (low loss ballast)
- C (electronic ballast)

2 - B (highly polished parabolic louvre)
- D (polished christmas tree louvre)



lyra | 32-02, 32-03

Recessed luminaires - T5 lamps



Luminaires with 24W or 54W T5 lamps by request

- ▣ - B (highly polished parabolic louvre, 60°)
- C (matted parabolic louvre, 60°)
- D (polished christmas tree louvre)
- J (matted christmas tree louvre)

Material:

- body: a steel sheet finished by powder technology varnishing
- color: white RAL 9003
- louvre: highly polished or matted parabolic louvre made of a pure aluminium sheet MIRO, polished or matted christmas tree louvre

Degree of protection: IP 20

Rated voltage: 230V/50Hz

Control gear: electronic ballast, dimmable ballast by request;
the luminaires are offered also in emergency version

Mounting:

ceiling systems M600 - universal mounting (32-02)

ceiling systems M625 - universal mounting (32-03), mounting in plaster ceilings

Accessories: (must be ordered separately)

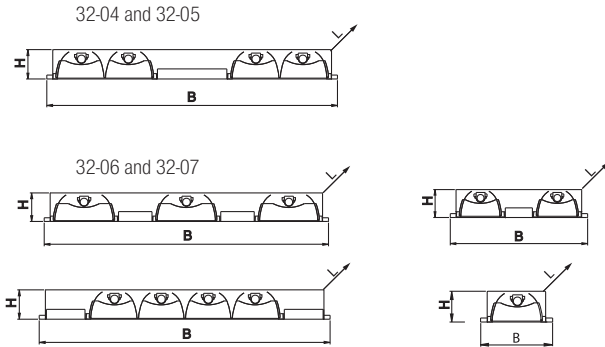
99-298 - holders for mounting in panel ceiling systems (4pcs)

99-299 - holders for mounting in plaster ceilings (4pcs)

Application: computer labs, large and small offices, lecture halls, stairways and halls

Code	Power	Louvre	Lamp	Cap	LxBxH (mm)	Hole cut out (mm)	Module	Kg
32-023/214/C ▣	2x14W	B, C, D, J	T5 lamp	G5	595x295x60	575x218	M 600	3,0
32-023/228/C ▣	2x28W	B, C, D, J	T5 lamp	G5	1195x295x60	1175x218	M 600	5,8
32-023/314/C ▣	3x14W	B, C, D, J	T5 lamp	G5	595x595x60	575x575	M 600	5,0
32-023/328/C ▣	3x28W	B, C, D, J	T5 lamp	G5	1195x595x60	1175x575	M 600	8,5
32-023/414/C ▣	4x14W	B, C, D, J	T5 lamp	G5	595x595x60	575x575	M 600	5,0
32-023/428/C ▣	4x28W	B, C, D, J	T5 lamp	G5	1195x595x60	1175x575	M 600	8,5
32-033/214/C ▣	2x14W	B, C, D, J	T5 lamp	G5	620x308x60	575x218	M 625	3,0
32-033/228/C ▣	2x28W	B, C, D, J	T5 lamp	G5	1245x308x60	1175x218	M 625	5,8
32-033/314/C ▣	3x14W	B, C, D, J	T5 lamp	G5	620x620x60	575x575	M 625	5,0
32-033/328/C ▣	3x28W	B, C, D, J	T5 lamp	G5	1245x620x60	1175x575	M 625	8,5
32-033/414/C ▣	4x14W	B, C, D, J	T5 lamp	G5	620x620x60	575x575	M 625	5,0
32-033/428/C ▣	4x28W	B, C, D, J	T5 lamp	G5	1245x620x60	1175x575	M 625	8,5

Recessed luminaires - T5 lamps 32-04, 32-05, 32-06, 32-07 | Iyra



Material:

- body: a steel sheet finished by powder technology varnishing
- color: white RAL 9003
- louvre: highly polished or matted parabolic louvre made of a pure aluminium sheet MIRO

Degree of protection: IP 20

Rated voltage: 230V/50Hz

Control gear: electronic ballast, dimmable ballast by request;
the luminaires are offered also in emergency version

Mounting:

in ceiling systems M600 - universal mounting (32-04, 32-06)

in ceiling systems M625 - universal mounting (32-05, 32-07) and mounting in plaster ceilings

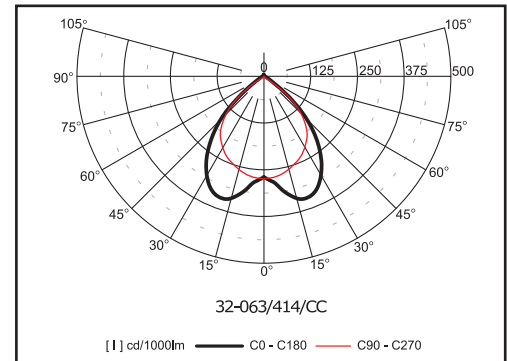
Accessories: (must be ordered separately)

99-298 - holders for mounting in panel ceiling systems (4pcs)

99-299 - holders for mounting in plaster ceilings (4pcs)

Application: computer labs, large and small offices, lecture halls, stairways and halls

Luminaires 32-06 and 32-07 are designed with perforated stripes.

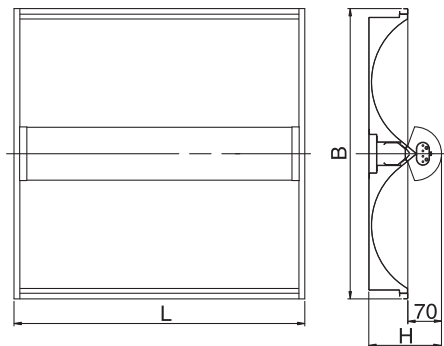


Code	Power	Louvre	Lamp	Cap	LxBxH (mm)	Hole cut out (mm)	module	Kg
32-043/414/C [2]	4x14W	B, C, D, J	T5 lamp	G5	595x595x60	575x575	M 600	5,0
32-043/428/C [2]	4x28W	B, C, D, J	T5 lamp	G5	1195x595x60	1175x575	M 600	8,5
32-053/414/C [2]	4x14W	B, C, D, J	T5 lamp	G5	620x620x60	575x575	M 625	5,0
32-053/428/C [2]	4x28W	B, C, D, J	T5 lamp	G5	1245x620x60	1175x575	M 625	8,5
32-063/128/C [2]	1x28W	B, C	T5 lamp	G5	1195x135x60	1175x120	M 600	4,1
32-063/228/C [2]	2x28W	B, C	T5 lamp	G5	1195x295x60	1175x218	M 600	5,8
32-063/314/C [2]	3x14W	B, C	T5 lamp	G5	595x595x60	575x575	M 600	5,0
32-063/414/C [2]	4x14W	B, C	T5 lamp	G5	595x595x60	575x575	M 600	5,0
32-073/128/C [2]	1x28W	B, C	T5 lamp	G5	1245x150x60	1175x120	M 625	4,1
32-073/228/C [2]	2x28W	B, C	T5 lamp	G5	1245x308x60	1175x218	M 625	5,8
32-073/314/C [2]	3x14W	B, C	T5 lamp	G5	620x620x60	575x575	M 625	5,0
32-073/414/C [2]	4x14W	B, C	T5 lamp	G5	620x620x60	575x575	M 625	5,0

Luminaires with 24W or 54W T5 lamps by request.

- [2] - B (highly polished parabolic louvre, 60°)
 - C (matted parabolic louvre, 60°)
 - D (polished christmas tree louvre)
 - J (matted christmas tree louvre)

carella | 34-00, 34-09



Recessed luminaires - direct/indirect



Material:

- body: a steel sheet finished by powder technology varnishing
- color: white RAL 9003
- reflector: aluminium sheet finished by powder technology varnishing into white or matted aluminium sheet
- diffuser: finely perforated white steel sheet with diffusing sheet

Degree of protection: IP 20

Rated voltage: 230V/50Hz

Control gear: electronic ballast, dimmable ballast by request

Mounting:

34-00 - ceiling modules M600 (universal mounting)

34-09 - ceiling modules M625 (universal mounting) and mounting in plaster ceilings

Accessories: (must be ordered separately)

99-298 - holders for mounting in panel ceilings (4pcs)

99-299 - holders for mounting in plaster ceilings (4pcs)

Application: receptions, corridors, shops and boutiques, restaurants, counters, computer labs, representative offices, public areas

Code	Power	Lamp	Cap	LxBxH (mm)	Module	Kg
34-004/155/C ²	1x55W	comp. fl. lamp	2G11	595x595x149	M 600	6,2
34-003/214/C ²	2x14W	T5 lamp	G5	595x595x149	M 600	6,2
34-094/155/C ²	1x55W	comp. fl. lamp	2G11	622x622x149	M 625	6,2
34-093/214/C ²	2x14W	T5 lamp	G5	622x622x149	M 625	6,2

Luminaires with 24W T5 lamps by request.

- ² - A - white aluminium reflector
- C - matted aluminium reflector

Recessed luminaires - direct/indirect

34-02, 34-04 | carella



Material:

- body: a steel sheet finished by powder technology varnishing
- color: white RAL 9003
- reflector: matted Al sheet
- diffuser: finely perforated white steel sheet with diffusing sheet

Degree of protection: IP 20

Rated voltage: 230V/50Hz

Control gear: low loss ballast or electronic ballast, dimmable ballast by request

Mounting:

34-02 - ceiling systems M600, inlay mounting

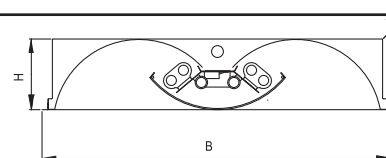
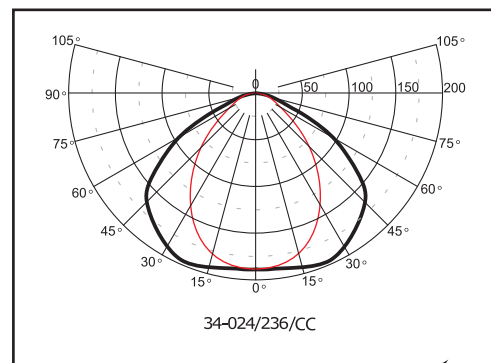
34-04 - ceiling systems M625, plaster ceilings

Accessories: (must be ordered separately)

99-298 - holders for mounting in panel ceilings (4pcs)

99-299 - holders for mounting in plaster ceilings (4pcs)

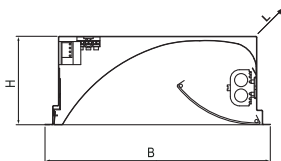
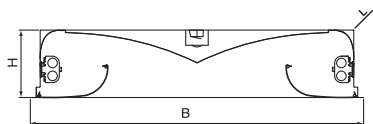
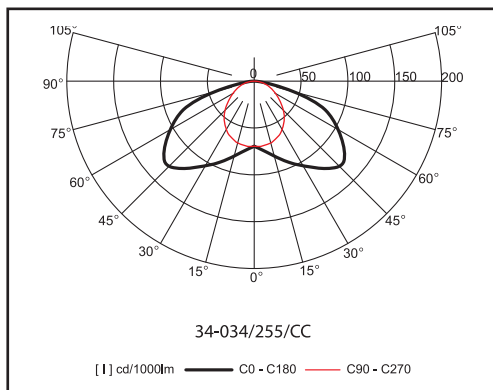
Application: receptions, corridors, hops and boutiques, restaurants, counters, computer labs, representative offices, public areas



Code	Power	Lamp	Cap	LxBxH (mm)	Module	Hole cut out (mm)	Kg
34-024/236/□C	2x36W	comp. fl. lamp	2G11	594x593x120	M 600	-	6,3
34-024/255/CC	2x55W	comp. fl. lamp	2G11	594x593x120	M 600	-	5,5
34-044/236/□C	2x36W	comp. fl. lamp	2G11	623x622x120	M 625	575x575	6,3
34-044/255/CC	2x55W	comp. fl. lamp	2G11	623x622x120	M 625	575x575	5,5

□ - E (low loss ballast) - C (electronic ballast)

carella | 34-03, 34-05



Recessed luminaires - direct/indirect



Material:

- body: a steel sheet finished by powder technology varnishing
- color: white RAL 9003
- reflector: matted aluminium sheet
- diffuser: finely perforated steel sheet with diffusing sheet

Degree of protection: IP 20

Rated voltage: 230V/50Hz

Control gear: low loss ballast or electronic ballast; dimmable ballast by request

Mounting:

34-03 - in ceiling systems M600, inlay mounting

34-05 - in ceiling systems M625, in plaster ceilings

Accessories: (must be ordered separately)

99-298 - holders for mounting in panel ceilings (4pcs)

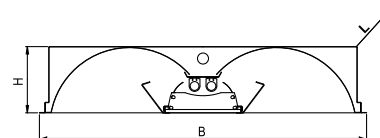
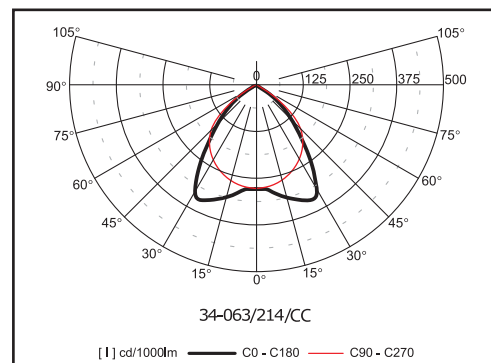
99-299 - holders for mounting in plaster ceilings (4pcs)

Application: receptions, corridors, counters, computer labs

Code	Power	Lamp	Cap	LxBxH (mm)	Module	Hole cut out (mm)	Kg
34-034/236/□C	2x36W	comp. fl. lamp	2G11	594x593x120	M 600	-	6,3
34-034/255/CC	2x55W	comp. fl. lamp	2G11	594x593x120	M 600	-	5,5
34-034/155/CC	1x55W	comp. fl. lamp	2G11	594x293x115	M 600	-	3,8
34-054/236/□C	2x36W	comp. fl. lamp	2G11	623x622x120	M 625	575x575	6,5
34-054/255/CC	2x55W	comp. fl. lamp	2G11	623x622x120	M 625	575x575	6,0
34-054/155/CC	1x55W	comp. fl. lamp	2G11	623x310x115	M 625	580x280	4,2

□ - E (low loss ballast) - C (electronic ballast)

Recessed luminaires - direct/indirect



Material:

- body: a steel sheet finished by powder technology varnishing
- color: white RAL 9003
- reflector: matted aluminium sheet
- louvre: a highly polished or matted parabolic louvre made of a pure aluminium sheet - Miro

Degree of protection: IP 20

Rated voltage: 230V/50Hz

Control gear: electronic ballast, dimmable ballast by request

Mounting: ceiling systems M600 - inlay mounting

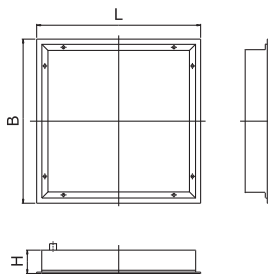
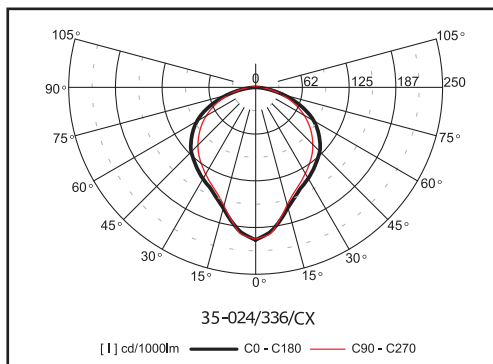
Application: computer labs, corridors, counters, representative offices, public areas

Code	Power	Lamp	Cap	LxBxH (mm)	Module	Kg
34-063/214/C ²	2x14W	T5 lamp	G5	594x593x120	M 600	6,0
34-063/228/C ²	2x28W	T5 lamp	G5	1194x593x120	M 600	8,6
34-064/155/C ²	1x55W	comp. fl. lamp	2G11	594x593x120	M 600	5,8

Luminaires with 24W or 54W T5 lamps by request.

- ² - B (highly polished parabolic louvre, 60°)
- C (matted parabolic louvre, 60°)

aries | 35-02



Recessed luminaires IP54 - ceiling systems M600 - inlay mounting



Material:

- body: a steel sheet finished by powder technology varnishing
- color: white RAL 9003
- cover: prismatic

Degree of protection: IP 54

Rated voltage: 230V/50Hz

Control gear: low loss ballast or electronic ballast, dimmable ballast by request;
the luminaires are offered also in emergency version

Mounting: inlay mounting into ceiling systems M600

Application: hospitals, laboratories, precincts demanding high sanitary codes,
precincts with high rate of dustiness and humidity, operating theaters

Code	Power	Lamp	Cap	LxBxH (mm)	Module	Kg
35-023/236/□X	2x36W	T8 lamp	G13	1197x297x110	M600	4,7
35-023/418/□X	4x18W	T8 lamp	G13	595x595x122	M600	8,2
35-024/336/□X	3x36W	comp. fl. lamp	2G11	595x595x122	M600	7,8
35-024/355/CX	3x55W	comp. fl. lamp	2G11	595x595x122	M600	7,9
35-023/128/CX	1x28W	T5 lamp	G5	1197x297x110	M600	4,4
35-023/135/CX	1x35W	T5 lamp	G5	1497x297x110	M600	4,7
35-023/228/CX	2x28W	T5 lamp	G5	1197x297x100	M600	4,9
35-023/235/CX	2x35W	T5 lamp	G5	1497x297x110	M600	6,5
35-023/414/CX	4x14W	T5 lamp	G5	595x595x122	M600	8,2

□ - E (low loss ballast) - C (electronic ballast)

Recessed luminaires IP54 - universal mounting



Material:

- body: a steel sheet finished by powder technology varnishing
- color: white RAL 9003
- cover: prismatic

Degree of protection: IP 54

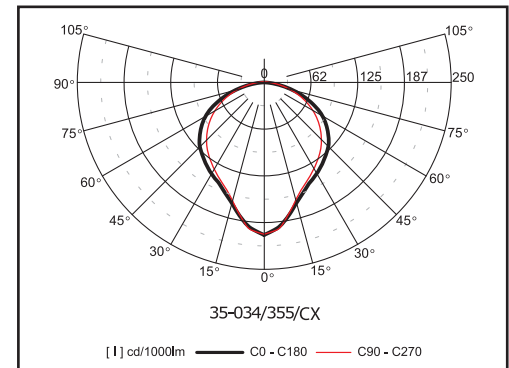
Rated voltage: 230V/50Hz

Control gear: low loss ballast or electronic ballast, dimmable ballast by request; the luminaires are offered also in emergency version

Mounting: universal mounting in panel ceilings M625 and in plaster ceilings

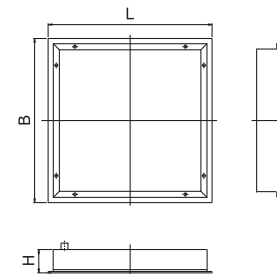
Accessories: steel holders (are components of the luminaires)

Application: hospitals, laboratories, precincts demanding high sanitary codes, precincts with high rate of dustiness and humidity, operating theaters

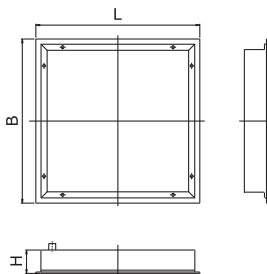
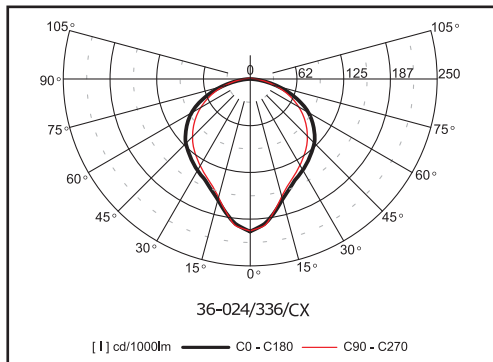


Code	Power	Lamp	Cap	LxBxH (mm)	Hole cut out (mm)	Module	Kg
35-033/136/□X	1x36W	T8 lamp	G13	1247x311x95	1215x297	M625	4,4
35-033/158/□X	1x58W	T8 lamp	G13	1547x311x95	1515x297	M625	4,7
35-033/236/□X	2x36W	T8 lamp	G13	1247x311x95	1215x297	M625	4,9
35-033/258/□X	2x58W	T8 lamp	G13	1547x311x95	1515x297	M625	5,4
35-033/418/□X	4x18W	T8 lamp	G13	622x622x95	591x608	M625	8,4
35-034/336/□X	3x36W	comp. fl. lamp	2G11	622x622x95	591x608	M625	7,9
35-034/355/CX	3x55W	comp. fl. lamp	2G11	622x622x95	591x608	M625	8,1
35-033/128/CX	1x28W	T5 lamp	G5	1247x311x95	1215x297	M625	4,4
35-033/135/CX	1x35W	T5 lamp	G5	1547x311x95	1515x297	M625	4,7
35-033/228/CX	2x28W	T5 lamp	G5	1247x311x95	1315x297	M625	4,9
35-033/235/CX	2x35W	T5 lamp	G5	1547x311x95	1515x297	M625	5,4
35-033/414/CX	4x14W	T5 lamp	G5	622x622x95	591x608	M625	8,4

□ - E (low loss ballast) - C (electronic ballast)



arietis | 36-02



Recessed luminaires IP65 - ceiling systems M600 - inlay mounting



Material:

- body: a steel sheet finished by powder technology varnishing
- color: white RAL 9003
- cover: prismatic

Degree of protection: IP 65

Rated voltage: 230V/50Hz

Control gear: low loss ballast or electronic ballast, dimmable ballast by request;
the luminaires are offered also in emergency version

Mounting: ceiling systems M600 - inlay mounting

Application: hospitals, laboratories, precincts with high humidity and dustiness,
precincts demanding high sanitary codes, operating theaters

Code	Power	Lamp	Cap	LxBxH (mm)	Module	Kg
36-023/236/□X	2x36W	T8 lamp	G13	1197x297x110	M600	7,5
36-023/418/□X	4x18W	T8 lamp	G13	595x595x122	M600	8,7
36-024/336/□X	3x36W	comp. fl. lamp	2G11	595x595x122	M600	8,0
36-024/355/CX	3x55W	comp. fl. lamp	2G11	595x595x122	M600	8,0
36-023/128/CX	1x28W	T5 lamp	G5	1197x297x100	M600	5,2
36-023/135/CX	1x35W	T5 lamp	G5	1497x297x100	M600	6,3
36-023/228/CX	2x28W	T5 lamp	G5	1197x297x110	M600	7,5
36-023/235/CX	2x35W	T5 lamp	G5	1497x297x100	M600	8,3
36-023/414/CX	4x14W	T5 lamp	G5	595x595x122	M600	8,2

□ - E (low loss ballast) - C (electronic ballast)

Recessed luminaires IP65 - universal mounting



Material:

- body: a steel sheet finished by powder technology varnishing
- color: white RAL 9003
- cover: prismatic

Degree of protection: IP 65

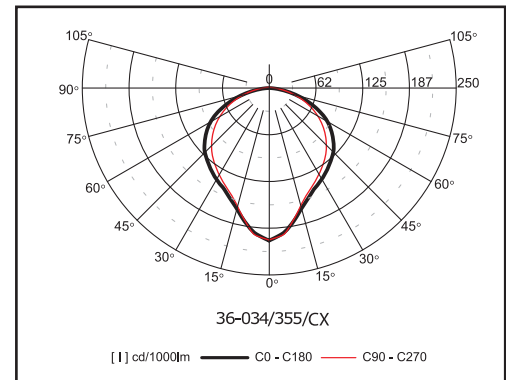
Rated voltage: 230V/50Hz

Control gear: low loss ballast or electronic ballast, dimmable ballast by request; the luminaires are offered also in emergency version

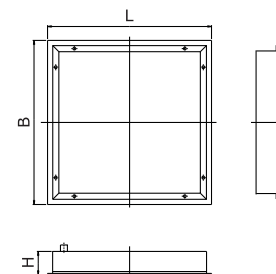
Mounting: ceiling systems M625 - universal mounting and mounting in plaster ceilings

Accessories: steel holders (are components of the luminaires)

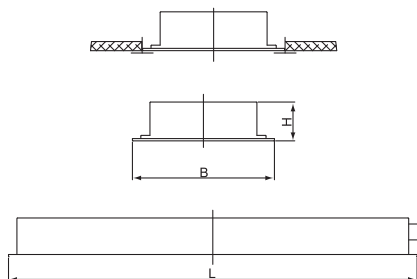
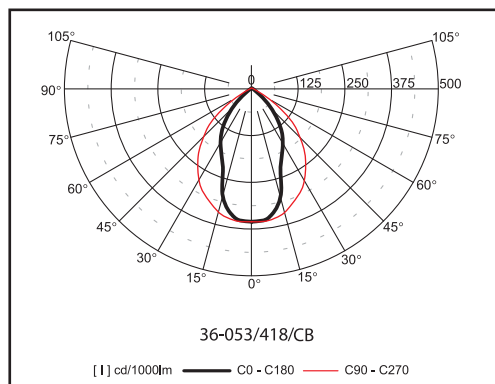
Application: hospitals, laboratories, precincts with high humidity and dustiness, precincts demanding high sanitary codes, operating theaters



Code	Power	Lamp	Cap	LxBxH (mm)	Hole cut out (mm)	Module	Kg
36-033/136/□X	1x36W	T8 lamp	G13	1247x311x100	1215x297	M625	7,7
36-033/158/□X	1x58W	T8 lamp	G13	1547x311x100	1515x297	M625	8,2
36-033/236/□X	2x36W	T8 lamp	G13	1247x311x100	1215x297	M625	7,5
36-033/258/□X	2x58W	T8 lamp	G13	1547x311x100	1515x297	M625	9,0
36-033/418/□X	4x18W	T8 lamp	G13	622x622x122	591x608	M625	8,7
36-034/336/□X	3x36W	comp. fl. lamp	2G11	622x622x122	591x608	M625	8,1
36-034/355/CX	3x55W	comp. fl. lamp	2G11	622x622x122	591x608	M625	8,1
36-033/128/CX	1x28W	T5 lamp	G5	1247x311x100	1215x297	M625	7,7
36-033/135/CX	1x35W	T5 lamp	G5	1547x311x100	1515x297	M625	8,2
36-033/228/CX	2x28W	T5 lamp	G5	1247x311x100	1215x297	M625	7,5
36-033/235/CX	2x35W	T5 lamp	G5	1547x311x100	1515x297	M625	9,0
36-033/414/CX	4x14W	T5 lamp	G5	622x622x122	591x608	M625	8,7



arietis | 36-04, 36-05



□ - E (low loss ballast)
- C (electronic ballast)

Recessed luminaires IP65

- inlay mounting 36-04

- universal mounting 36-05



Material:

- body: a steel sheet finished by powder technology varnishing
- color: white RAL 9003
- louvre: highly polished parabolic louvre
- cover: safety hardened glass

Degree of protection: IP 65

Rated voltage: 230V/50Hz

Control gear: low loss ballast or electronic ballast, dimmable ballast by request; the luminaires are offered also in emergency version

Mounting: ceiling systems M600 - inlay mounting (36-04); ceiling systems M625 - inlay mounting and mounting in plaster ceilings (36-05)

Accessories: steel holders (are components of the luminaire - for 36-05)

Application: chemical laboratories, precincts with high humidity and dustiness, hospitals, precincts demanding high sanitary codes

Code	Power	Lamp	Cap	LxBxH (mm)	Hole cut out	Module	Kg
36-043/236/□ BT	2x36W	T8 lamp	G13	1197x297x100	-	M600	8,7
36-043/418/□ BT	4x18W	T8 lamp	G13	595x595x122	-	M600	10,1
36-043/128/CBT	1x28W	T5 lamp	G5	1197x297x110	-	M600	8,7
36-043/135/CBT	1x35W	T5 lamp	G5	1497x297x100	-	M600	12,5
36-043/228/CBT	2x28W	T5 lamp	G5	1197x297x100	-	M600	8,7
36-043/235/CBT	2x35W	T5 lamp	G5	1497x297x100	-	M600	12,5
36-043/414/CBT	4x14W	T5 lamp	G5	595x595x122	-	M600	10,1
36-044/336/□ BT	3x36W	comp. fl. lamp	2G11	595x595x122	-	M600	8,9
36-044/355/C BT	3x55W	comp. fl. lamp	2G11	595x595x122	-	M600	8,9
36-053/236/□ BT	2x36W	T8 lamp	G13	1247x311x100	1215x297	M625	8,7
36-053/418/□ BT	4x18W	T8 lamp	G13	622x622x122	591x608	M625	10,1
36-053/128/CBT	1x28W	T5 lamp	G5	1247x311x100	1215x297	M625	8,7
36-053/135/CBT	1x35W	T5 lamp	G5	1547x311x100	1515x297	M625	12,5
36-053/228/CBT	2x28W	T5 lamp	G5	1247x311x100	1215x297	M625	8,7
36-053/235/CBT	2x35W	T5 lamp	G5	1547x311x100	1515x297	M625	12,5
36-053/414/CBT	4x14W	T5 lamp	G5	622x622x122	591x608	M625	10,1
36-054/336/□ BT	3x36W	comp. fl. lamp	2G11	622x622x122	591x608	M625	8,9
36-054/355/C BT	3x55W	comp. fl. lamp	2G11	622x622x122	591x608	M625	8,9

Recessed luminaires into the wall



Material:

- body: a steel sheet finished by powder technology varnishing
- color: structured metallic gray
- reflector: matted reflector made of aluminium sheet, asymmetric
- diffuser: tempered glass

Degree of protection: IP 20

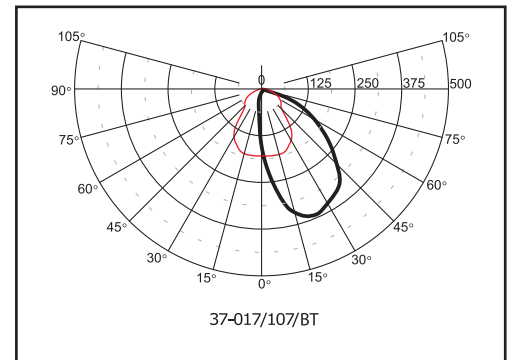
Rated voltage: 230V/50Hz

Control gear: standard ballast, low loss ballast or electronic ballast

Mounting: recessed into the wall

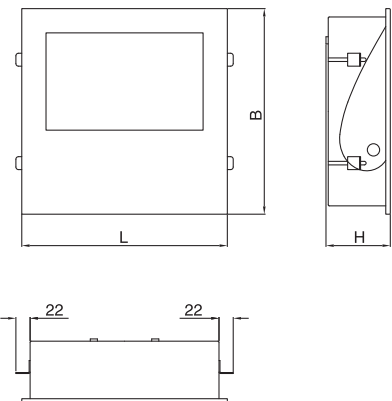
Accessories: box for recessed mounting into the wall and set of 4pcs holders (are components of the luminaires)

Application: vestibules, corridors and stairways, galleries, museums



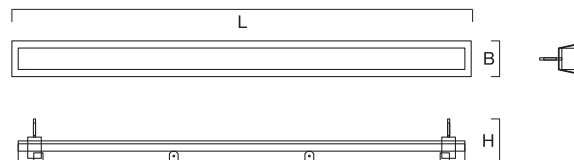
Code	Power	Lamp	Cap	LxBxH (mm)	Hole cut out (mm)	Kg
37-012/120/+T	1x200W	halogen lamp	R7s	318x318x100	300x300	4,1
37-014/118/□T	1x18W	compact fl. lamp	G24d(q)-2	318x318x100	300x300	4,2
37-014/126/□T	1x26W	compact fl. lamp	G24d(q)-3	318x318x100	300x300	4,2
37-017/107/BT	1x70W	metal halide lamp	RX7s	318x318x100	300x300	4,7
37-017/115/BT	1x150W	metal halide lamp	RX7s-24	318x318x168	300x300	4,8

□ - E (low loss ballast) - C (electronic ballast)





Recessed luminaires



Material:

- body: is made of aluminium profile
- diffuser: opaline

Degree of protection: IP 20

Rated voltage: 230V/50Hz

Control gear: electronic ballast

Mounting: mounting in plaster ceilings

(holders for plaster ceiling are supplied with luminaire)

Application: reception desks, entry halls, shops, hotels, corridors and stairways, restaurants

Code	Power	Lamp	Cap	LxBxH (mm)	Kg
69-004/114/C	1x14W	T5 lamp	G5	620x97x114,5	1,4
69-004/124/C	1x24W	T5 lamp	G5	620x97x114,5	1,4
69-004/121/C	1x21W	T5 lamp	G5	920x97x114,5	1,7
69-004/139/C	1x39W	T5 lamp	G5	920x97x114,5	1,7
69-004/128/C	1x28W	T5 lamp	G5	1220x97x114,5	2,0
69-004/154/C	1x54W	T5 lamp	G5	1220x97x114,5	2,0
69-004/135/C	1x35W	T5 lamp	G5	1520x97x114,5	2,3
69-004/149/C	1x49W	T5 lamp	G5	1520x97x114,5	2,3
69-004/180/C	1x80W	T5 lamp	G5	1520x97x114,5	2,3

